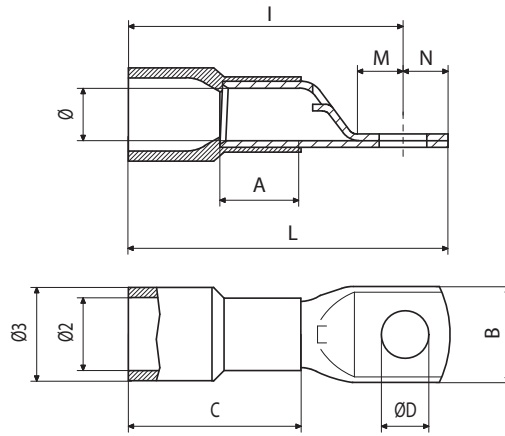


Cable lugs > Pre-insulated > Tube terminals

## Type: ANE10-M10

Family: ANE-M



### RING TERMINAL, PRE-INSULATED WITH PA6.6, FOR COPPER CONDUCTORS, SCREW 10MM SECTION 50MMQ

#### Technical information

Maximum operating temperature	115 °C
Minimum operating temperature	-20 °C
Cable section range	50÷50 mm <sup>2</sup>
Colour of jacket	Black
Compatible cable class	5 and 6 class, CEI 20-29
Cable stripping length	18 mm
Number of tab holes	1
Presence of reinforcement ring	No
Presence of sight hole	Yes
Easy entry	Yes
Anti-vibration	No
Type	single
Insulation type	partial

#### Weight and dimensions

Eyelet diameter (ØD)	10.5 mm
Bow external diameter (Ø3)	15.8 mm
Barrel internal diameter (Ø)	10 mm
Bow internal diameter (Ø2)	13.8 mm
Screw diameter	M10
Distance between center of tab hole - external barrel side (I)	35 mm
Distance between center of tab hole - external eyelet side (N)	9.5 mm

#### Weight and dimensions

Distance between center of tab hole - point of transition (M)	11.5 mm
Hole spacing (E)	0 mm
Patella width (B)	20 mm
Barrel length (A)	16.5 mm
Sleeve length (C)	30.5 mm
Total connector length (L)	59 mm

#### Material composition and treatments

Halogen-free	No
Insulating jacket material	Polyamide PA6.6
Conductor body material	Electrolytic copper with purity above 99,95%
Annealed	Yes

#### Certifications and approvals

Marks	UL (cULus)
REACH	Yes
ROHS	Yes

#### Logistics

Minimum packaging unit	50
Standard packaging unit	150