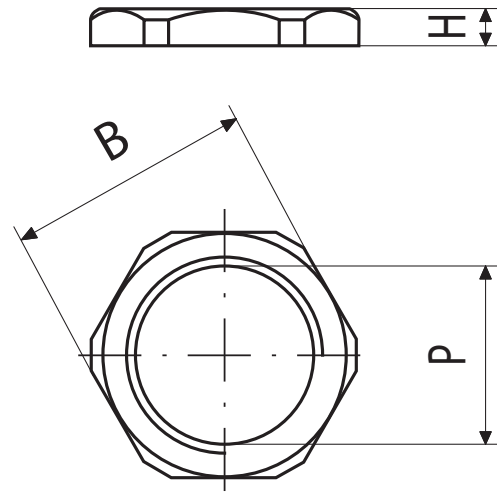


Cable glands > Brass > Counter nuts

Type: 2033M32N

Family: 2033



COUNTER-NUT, IN NICKEL-PLATED BRASS, M32X1,5

Technical info

Range of operating temperature (dynamic)	-40÷100 °C
Color	Silver
Thread pitch	M32x1.5

Weight and dimensions

Spanner size	36 mm
Width	39.6 mm
Height (H)	4 mm

Material treatment and composition

Material	brass
Halogen free	No

Material treatment and composition

Surface treatment	nickel plating
Minimum thickness surface coating	3 µm

Certifications and approvals

ROHS	Yes
REACH	bac4c8b1-0225-4f4c-8963-c4a9206aa48d
Reference standard	CEI EN 60423

Logistics

Minimum unit quantity	25
Standard unit quantity	250